

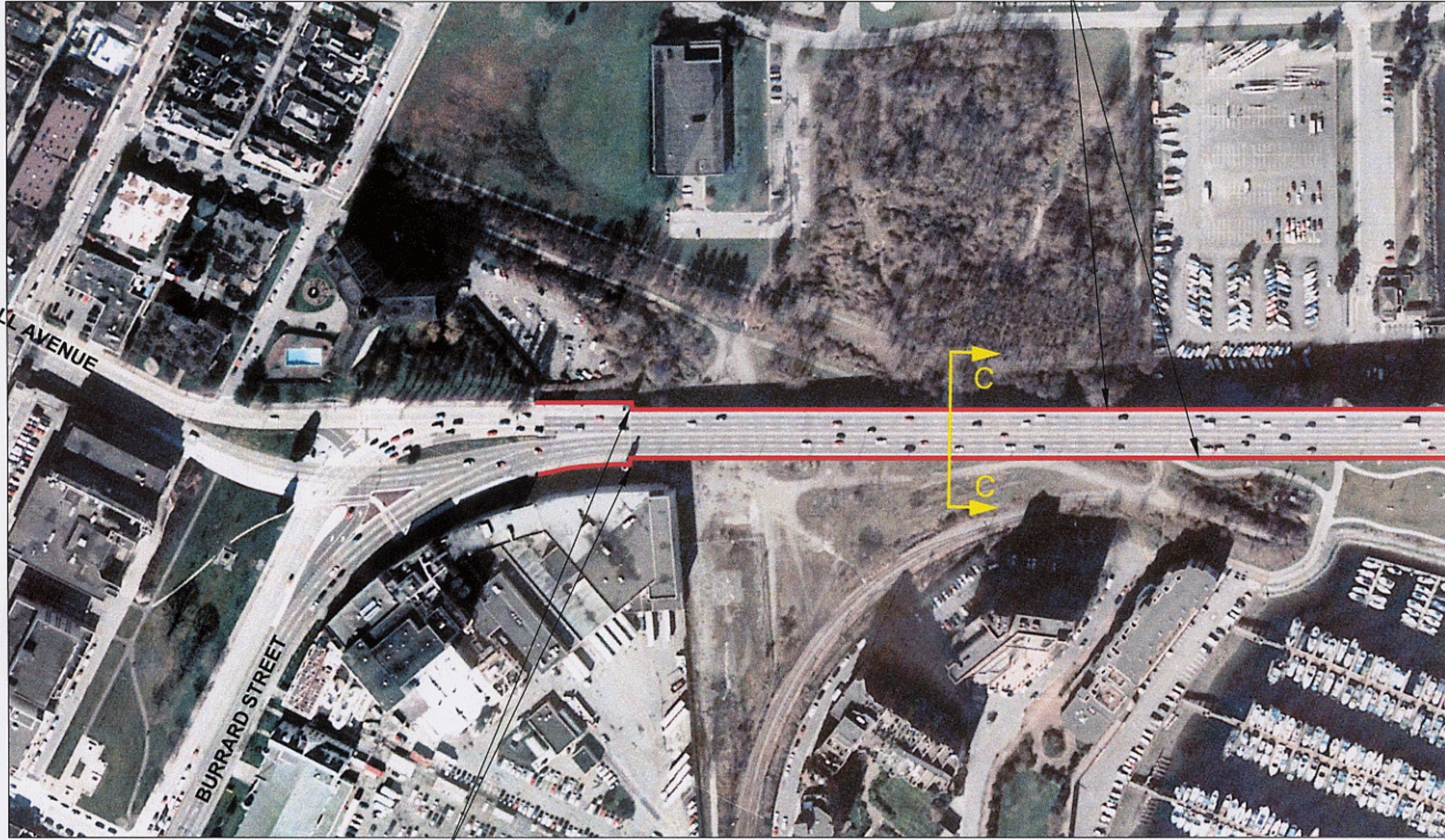


OUTSIDE
WIDENING

CORNWALL AVENUE

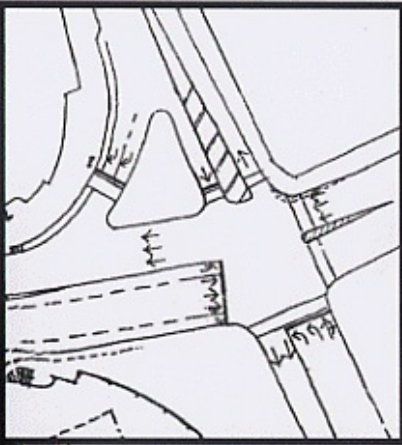
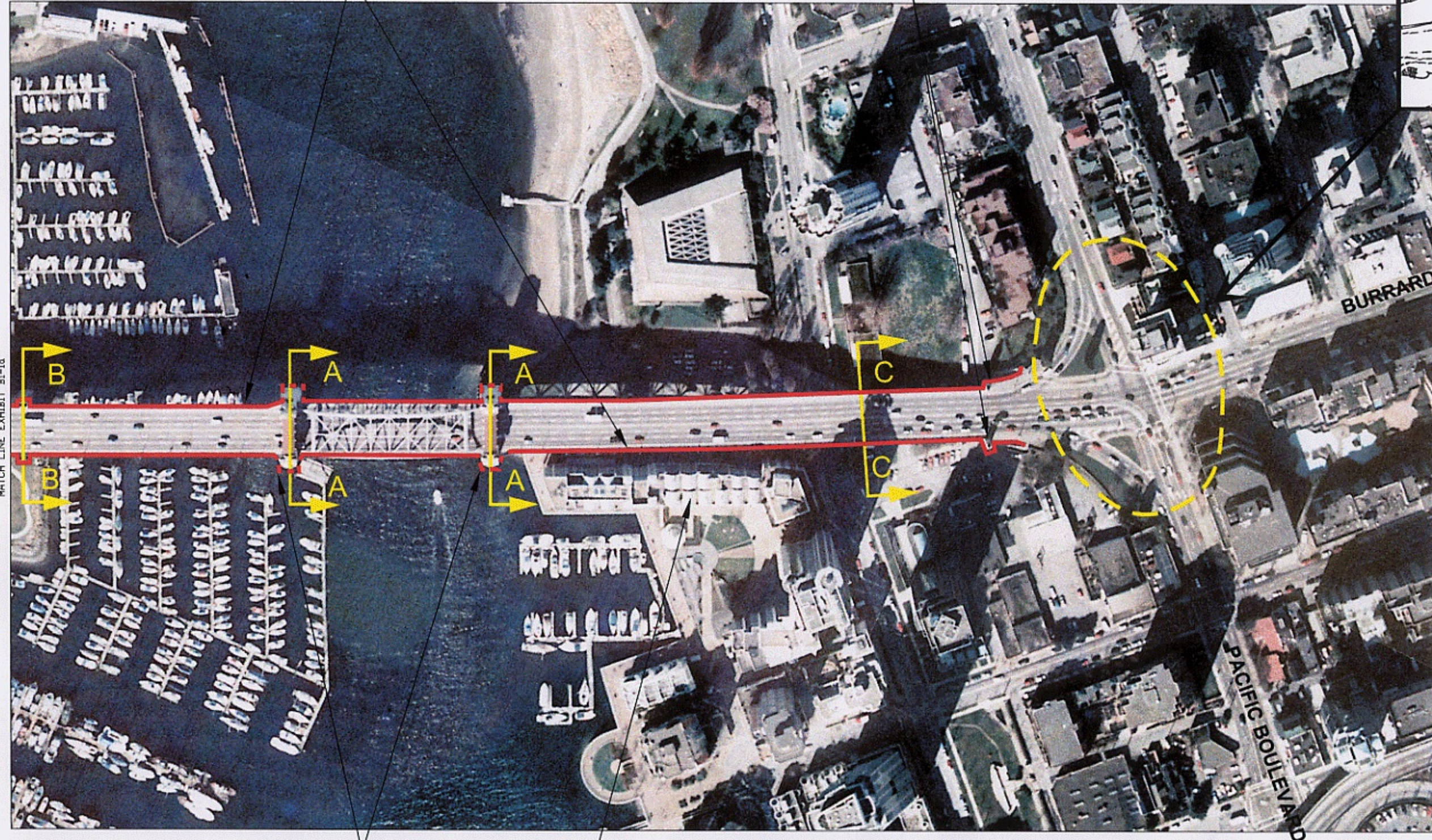
BURRARD STREET

WIDEN OUTSIDE
OF 'TORCHES'





ACAD14 N:\SW\1010\SW1010\SWA\DWGS\BARRARD\BARRARD-2000-2.DWG PLOT 1-2



POSSIBLE
INTERSECTION
LANING
RECONFIGURATION

BURRARD STREET

PACIFIC BOULEVARD

SCALE 1:2,000
NOVEMBER 2001
SW1010

DELCAN / **IBI**
GROUP

POSSIBLE WIDENING
OUTSIDE TOWERS

CLOSE PROXIMITY
OF 1000 BEACH AVENUE

False Creek
Pedestrian & Cycling
Crossings Study

FALSE CREEK PEDESTRIAN/ CYCLIST CROSSINGS STUDY

BURRARD BRIDGE
OPTION B1

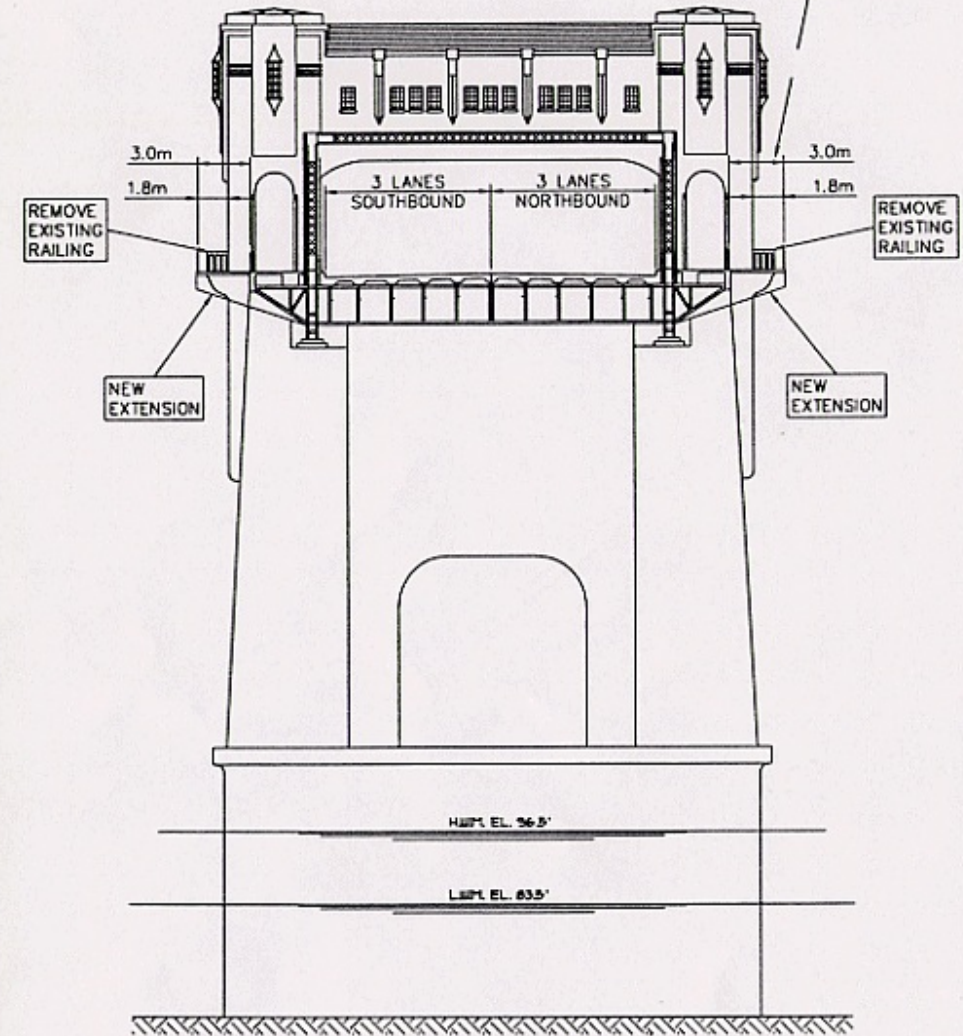
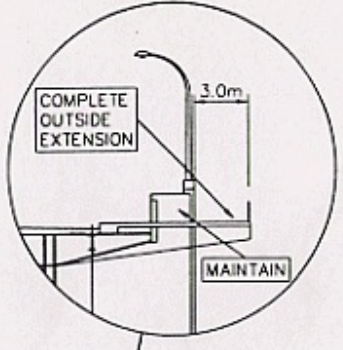
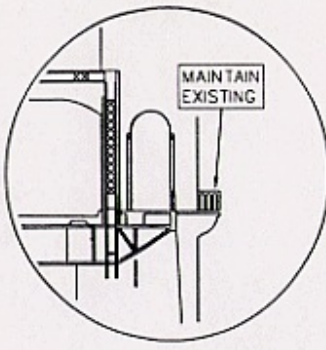
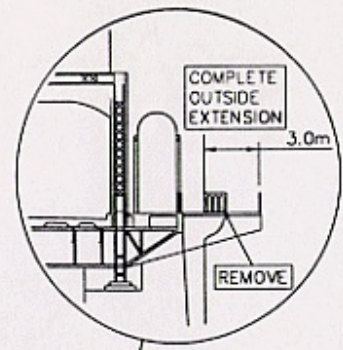
EXHIBIT
B1-1b

ACAD14 09/24/01 11:57 N:\SW\1010\SW1010\SWA\DWGS\BARRARD\OPTION_B1.DWG PLOT 1=0.4

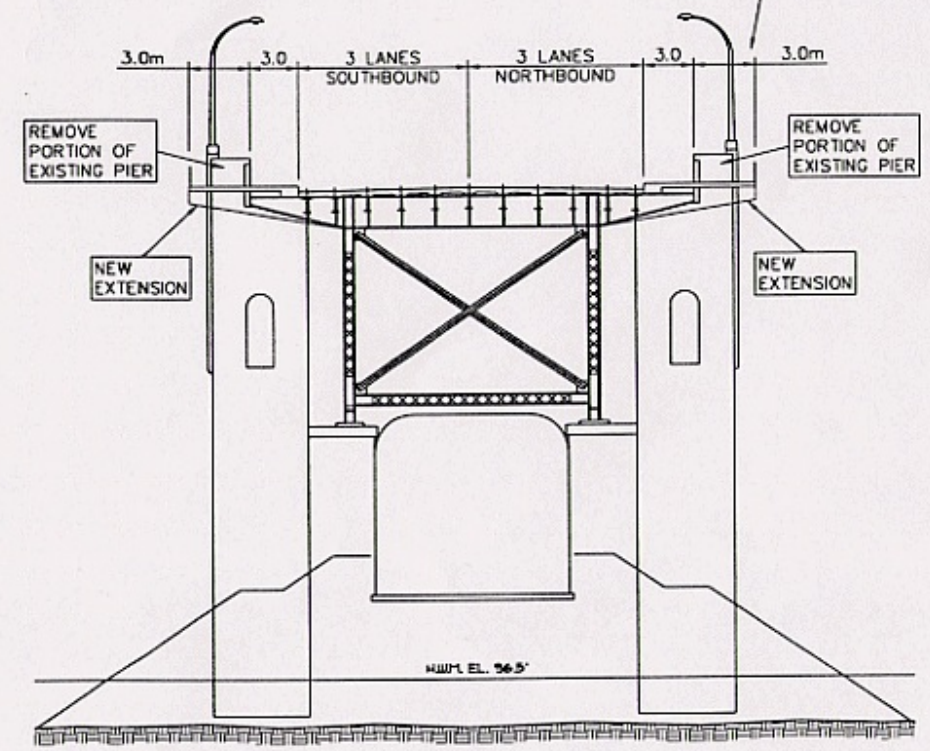
ALTERNATIVE 1

ALTERNATIVE 2

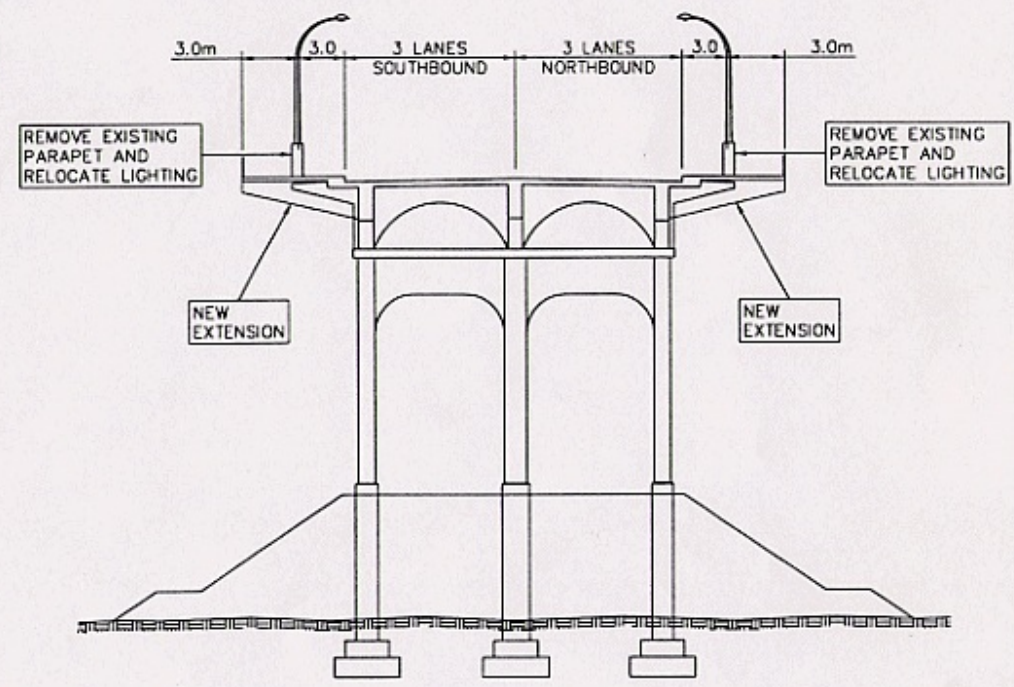
ALTERNATIVE 1



OPTION B1
SECTION A-A

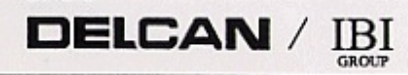


OPTION B1
SECTION B-B



OPTION B1
SECTION C-C

SCALE 1:400
AUGUST 2001
SW1010



FALSE CREEK PEDESTRIAN/ CYCLIST CROSSINGS STUDY	EXHIBIT
BURRARD BRIDGE OPTION B1 - CROSS SECTIONS	B1-2